

Finger Guards



- Finger guards of black, fibreglass reinforced plastik (conform to EN 294).
- Plastic protective grilles must not be used for the following models:
8200 JH3 / JH4
3200 JH3 / JH4
4100 NH5 - NH8

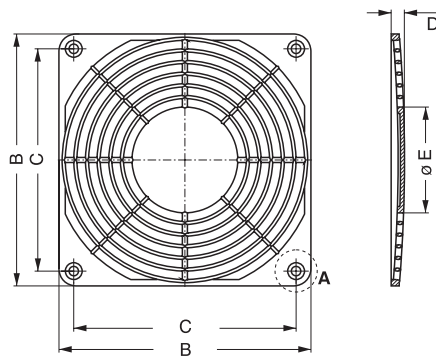
Finger Guards	Mounting	B	C	D	E	Finger Guards	Mounting	B	C	D	E
LZ32-2	A1	80 ^{-0.5}	71.5 ^{±0.2}	7.0	34	LZ30-5	A2	119 ^{-0.5}	105 ^{±0.2}	6.5	50
LZ32-3	A3	80 ^{-0.5}	71.5 ^{±0.2}	7.0	34	LZ30-6	A4	119 ^{-0.5}	105 ^{±0.2}	6.5	50
LZ23-2	A1	92.5 ^{-0.5}	82.5 ^{±0.2}	6.5	46	LZ33-1	A2	127 ^{-0.5}	113.5 ^{±0.2}	6.5	50
LZ23-3	A3	92.5 ^{-0.5}	82.5 ^{±0.2}	6.5	46	LZ33-2	A4	127 ^{-0.5}	113.5 ^{±0.2}	6.5	50

LZ32-2 / LZ32-3 Fan size 80 x 80

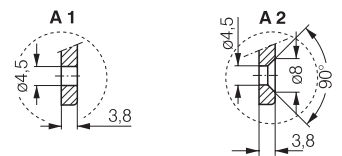
LZ23-2 / LZ23-3 Fan size 92 x 92

LZ30-5 / LZ30-6 Fan size 119 x 119

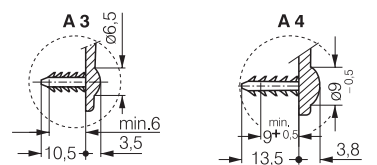
LZ33-1 / LZ33-2 Fan size 127 x 127



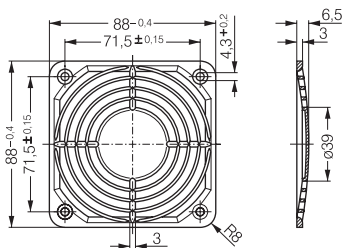
Screw connection



Barbed inserts



LZ32P Fan size 80 x 80



LZ30P Fan size 119 x 119

